

COL-MET

EZ HEAT & CURE AIR MAKEUP UNITS

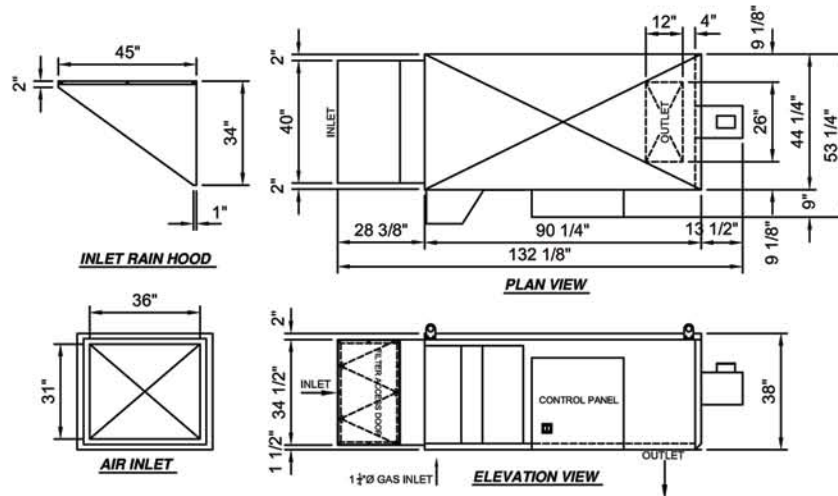


EZ HEAT & CURE PRODUCT SELECTION GUIDE

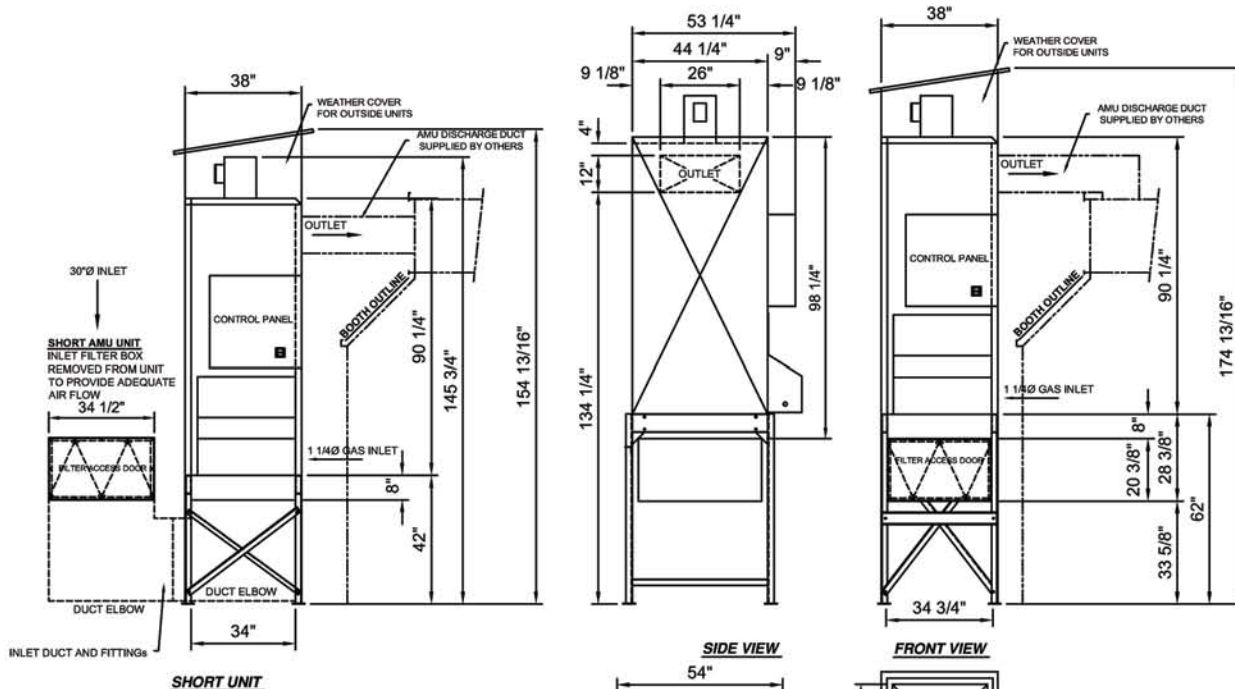
Model #	Product Description	AMU HP	BTUs	CFM Range
EH-812K	EZ Heat AMU	10	1,500,000	8,000-12,000 CFM
EHC-812K	EZ Heat & Cure AMU	10	1,500,000	8,000-12,000 CFM
EH-1216K	EZ Heat AMU	15	2,000,000	12,000-16,800 CFM
EHC-1216K	EZ Heat & Cure AMU	15	2,000,000	12,000-16,800 CFM
EH-2026K	EZ Heat AMU	15	2,500,000	20,000-26,000 CFM
EHC-2026K	EZ Heat & Cure AMU	15	2,500,000	20,000-26,000 CFM
EH-2734K	EZ Heat AMU	25	3,000,000	27,000-34,000 CFM
EHC-2734K	EZ Heat & Cure AMU	25	3,000,000	27,000-34,000 CFM
EH-3540K	EZ Heat AMU	40	4,000,000	35,000-40,000 CFM
EHC-3540K	EZ Heat & Cure AMU	40	4,000,000	35,000-40,000 CFM

Col-Met EZ Heat and Cure complies with all OSHA and NFPA regulations.

HORIZONTAL & VERTICAL AMU: 8,000 – 16,800 CFM



HORIZONTAL AMU UNIT



SHORT VERTICAL AMU UNIT

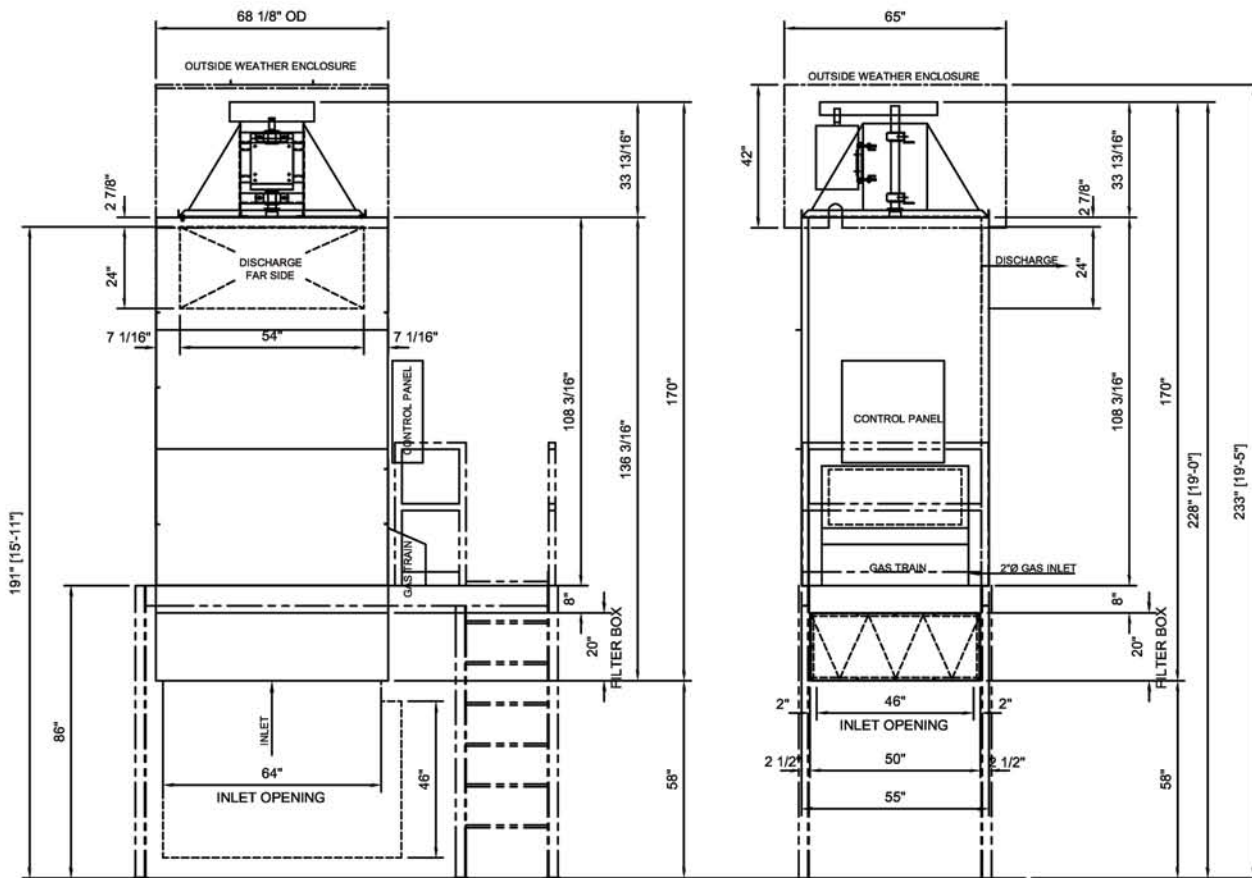
STANDARD VERTICAL AMU UNIT

SPECIFICATIONS

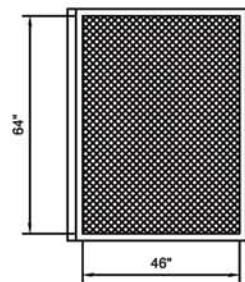
- Motor:** 8,000 to 12,000 CFM Motor HP: 10
12,000 to 16,800 CFM Motor HP: 15
- Voltage:** 10 HP Motor @ 460V -3ph, 14 AMP
10 HP Motor @ 230V -3ph, 28 AMP
10 HP Motor @ 230V -1ph, 50 AMP
15 HP Motor @ 230V -3ph, 42 AMP
15 HP Motor @ 460V -3ph, 21 AMP

- Burner:** 8,000 to 12,000 CFM Burner Rating: 1.5 mil. BTU N.G., 1-1/4" dia. Inlet
12,000 to 16,800 CFM Burner Rating: 2 mil. BTU N.G., 1-1/4" dia. Inlet
- Gas Requirements:**
1/2 to 1 PSI Maximum (14" W.C. Minimum Required)

VERTICAL AMU: 20,000 – 40,000 CFM



ELEVATION VIEW



INLET VIEW

SPECIFICATIONS

Motor: 20,000 to 26,000 CFM Motor HP: 15
 27,000 to 34,000 CFM Motor HP: 25
 35,000 to 40,000 CFM Motor HP: 40

Voltage: 15 HP Motor @ 460V -3ph, 21 AMP
 15 HP Motor @ 230V -3ph, 42 AMP
 25 HP Motor @ 230V -3ph, 68 AMP
 25 HP Motor @ 460V -3ph, 34 AMP
 40 HP Motor @ 230V -3ph, 104 AMP
 40 HP Motor @ 460V -3ph, 52 AMP

Burner: 20,000 to 26,000 CFM Burner Rating: 3 mil. BTU N.G./L.P.,
 1-1/2" dia. Inlet

27,000 to 34,000 CFM Burner Rating: 4 mil. BTU N.G./L.P.,
 2" dia. Inlet

35,000 to 40,000 CFM Burner Rating: 4 mil. BTU N.G./L.P.,
 2" dia. Inlet

Gas Requirements:

1/2 to 5 PSI Maximum (14" W.C. Minimum Required)